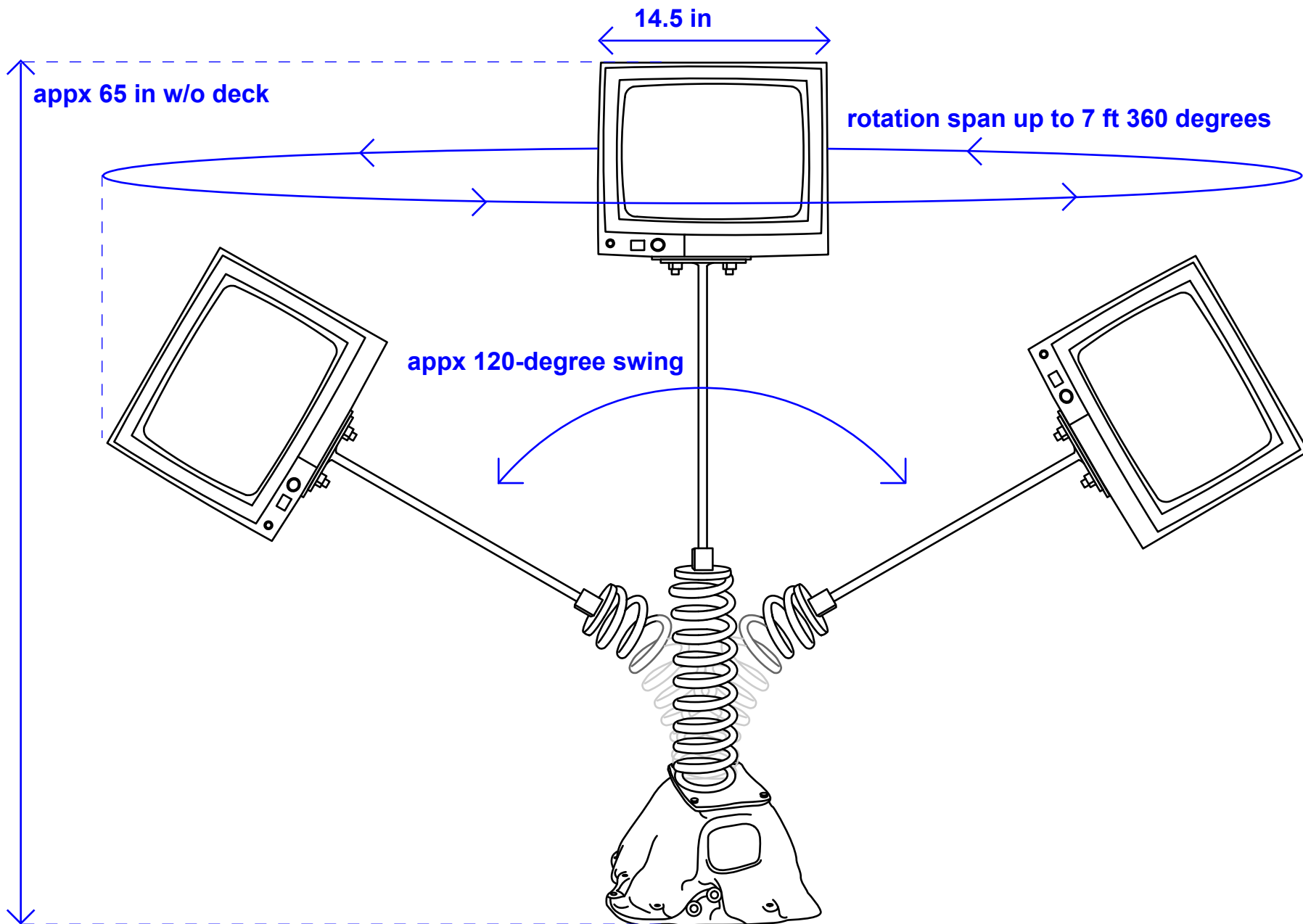


Andrew Wade Smith

Andrew Wade Smith 504-296-6003 androidism@hotmail.com

Joel Jackson 503-502-1202 or 503-827-8288 jjackson@milesaheadgroup.com

# Modular Installation Renderings: **TEETER** TVs

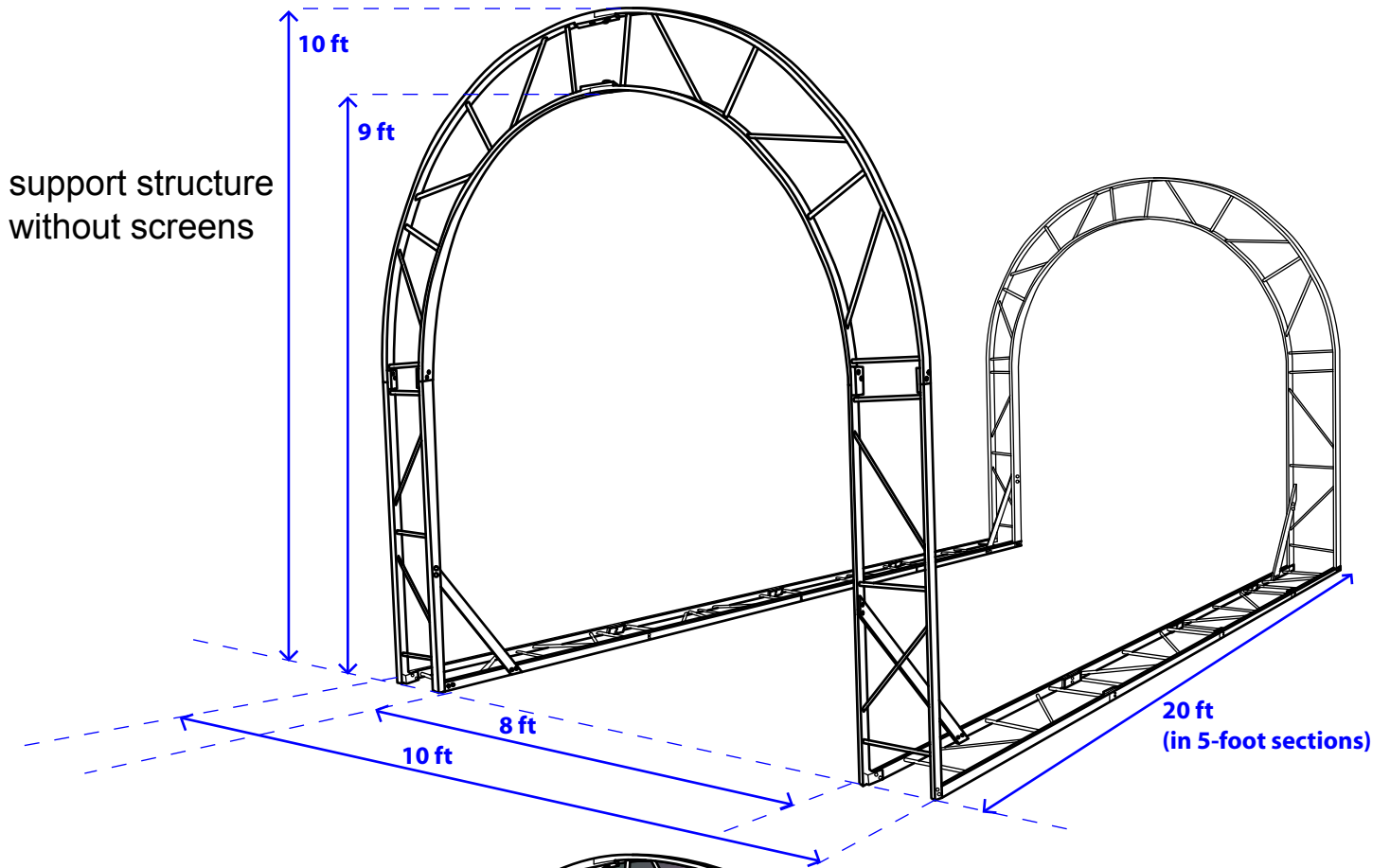


Andrew Wade Smith

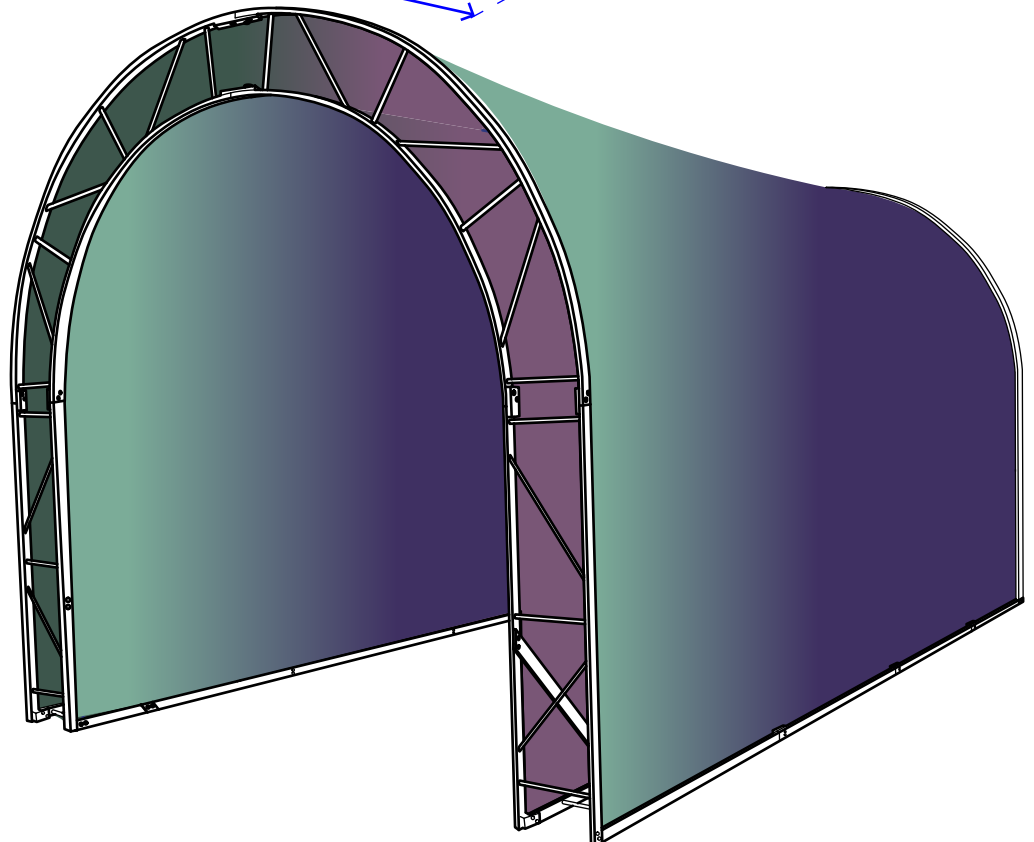
Andrew Wade Smith 504-296-6003 androidism@hotmail.com

Joel Jackson 503-502-1202 or 503-827-8288 jjackson@milesaheadgroup.com

# Modular Installation Renderings: **PROJECTION TUNNEL**



tunnel complete with projection screens



Andrew Wade Smith

Andrew Wade Smith 504-296-6003 androidism@hotmail.com

Joel Jackson 503-502-1202 or 503-827-8288 jjackson@milesaheadgroup.com

# Modular Installation Renderings: **QUAD PINWHEEL MONITORS**

